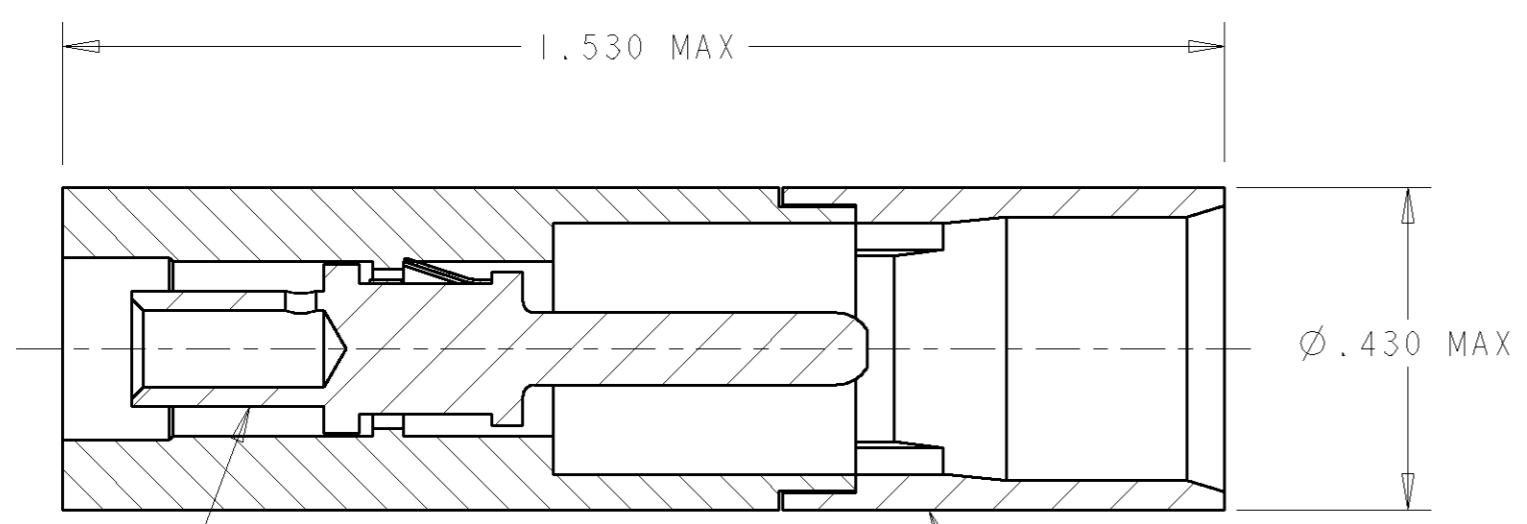
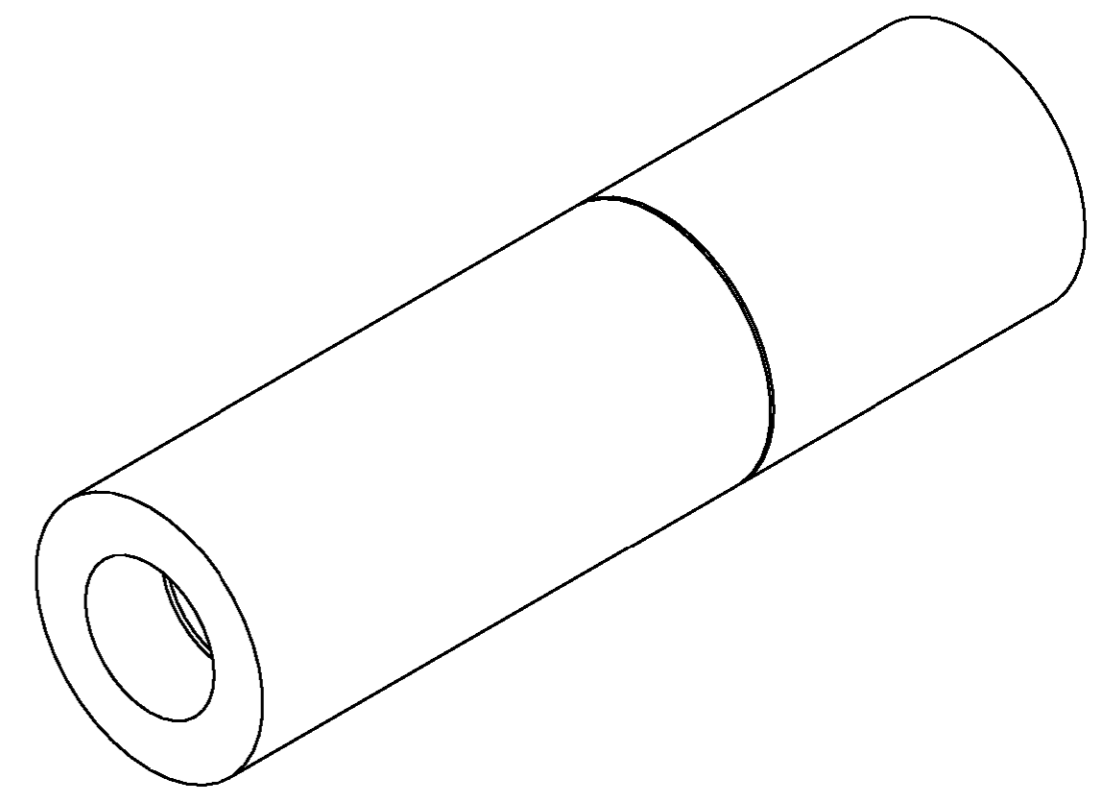
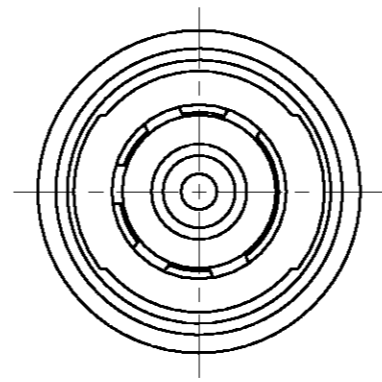
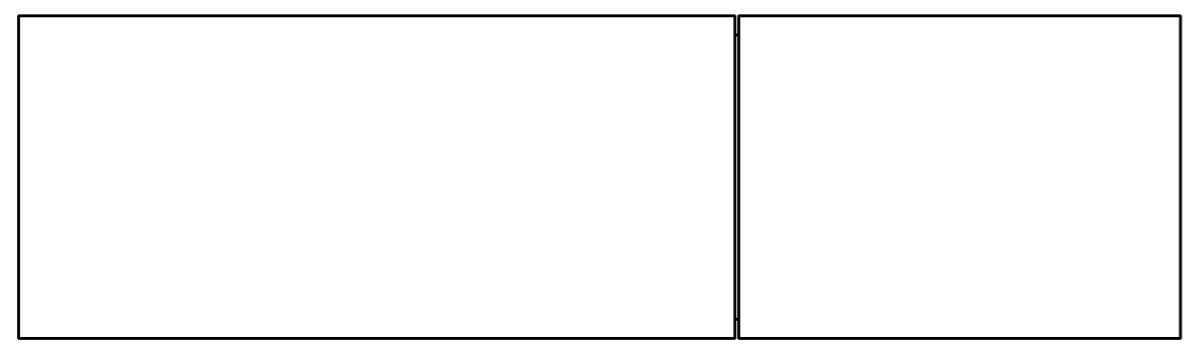


THIS DRAWING IS UNPUBLISHED. RELEASED FOR PUBLICATION 20
 © COPYRIGHT 20 BY TYCO ELECTRONICS CORPORATION. ALL RIGHTS RESERVED.

LOC	DIST	REVISIONS			
P	LTR	DESCRIPTION	DATE	DWN	APVD
FT	0	B	RELEASED ECR-05-000828	21APR2005	SW SH



PIN CONTACT ASSEMBLY PIN HOUSING ASSEMBLY

SECTION Z-Z

1. PARTS PACKAGED UNASSEMBLED IN PLASTIC BAG.
2. CONTACT RESISTANCE: 1.2 MILLIOHMS.
3. BREAKAWAY FORCE: 25-35 POUNDS.

207027-1

PART NUMBER

<small>THIS DRAWING IS A CONTROLLED DOCUMENT FOR TYCO ELECTRONICS CORPORATION IT IS SUBJECT TO CHANGE AND THE CONTROLLING ENGINEERING ORGANIZATION SHOULD BE CONTACTED FOR THE LATEST REVISION.</small>		DWN S. WELDON 21APR2005 CHK S. HEADER 21APR2005 APVD S. HEADER 21APR2005	AMP Tyco Electronics Harrisburg, PA 17105-3608
DIMENSIONS: INCHES	TOLERANCES UNLESS OTHERWISE SPECIFIED: 0 PLC ± 1 PLC ±0.5 2 PLC ±0.05 3 PLC ±0.005 4 PLC ±0.0005 ANGLES ± FINISH	PRODUCT SPEC APPLICATION SPEC WEIGHT	NAME PIN KIT, BREAKAWAY
MATERIAL	FINISH	CUSTOMER DRAWING	SIZE CAGE CODE DRAWING NO RESTRICTED TO A200779 C-207027 -
		SCALE 4:1	SHEET 1 OF 1 REV B